




## Hinge

Flexible case with any-angle stand  
For iPad Air

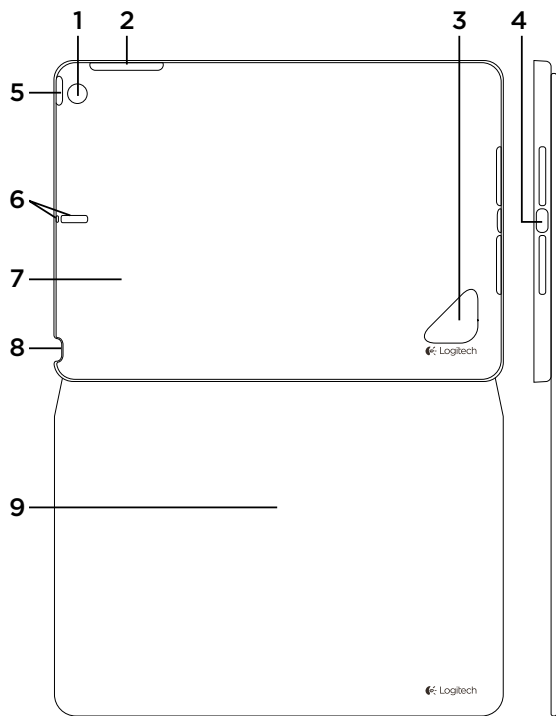


Setup Guide

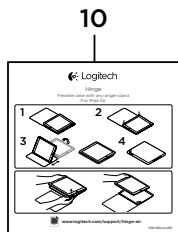
## Contents

English. . . . .	3
<a href="http://www.logitech.com/support">www.logitech.com/support</a>  . . . . .	8

## Know your product



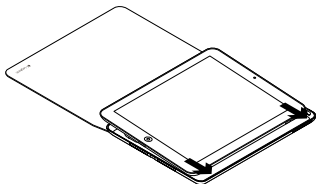
1. Camera hole
2. Cut out for access to side switch
3. Detach hole
4. Cut out for access to charging port
5. Cut out for access to on/off button
6. Two microphone holes
7. iPad Air holder
8. Cut out for access to headphone socket
9. Protective folio
10. Product documentation



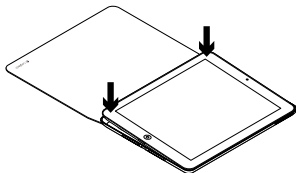
## Setting up and using the folio with your iPad

### Setting up your folio

1. Open the folio and insert your iPad into the protective shell:

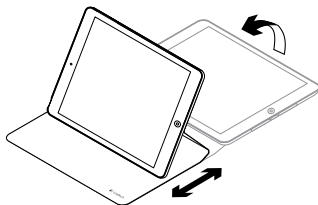


2. Push your iPad down:

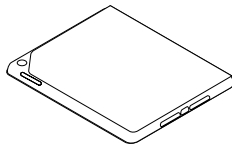


### Using your iPad

Opening the folio wakes your iPad:



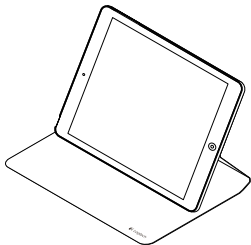
Closing the folio puts your iPad into sleep mode:



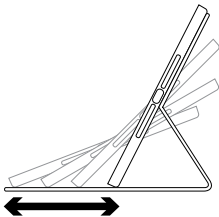
## Two viewing positions

The folio provides two viewing positions—one for viewing media and another for browsing.

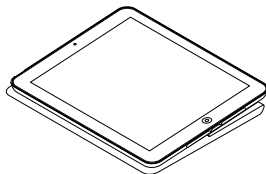
To view media, open your iPad:



In the viewing position you can adjust your iPad to any angle you feel comfortable with:



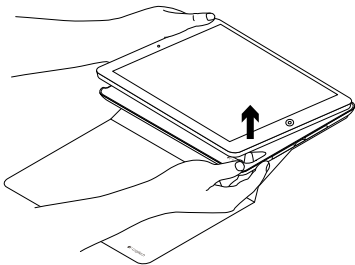
To browse, lie your iPad flat:



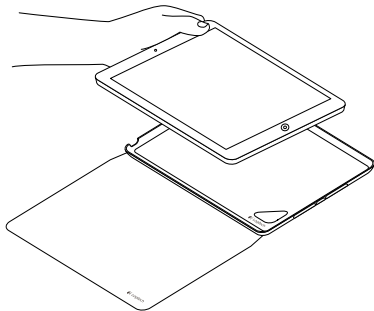
The browsing position lets you use your iPad easily with one hand.

## Detaching your iPad

1. Push a finger through the hole in the back of the iPad holder to release your iPad:



2. Using your other hand, remove your iPad from the holder:



## Visit Product Central

There's more information and support online for your product. Take a moment to visit Product Central to learn more about your new folio.

[www.logitech.com/support/hinge-air](http://www.logitech.com/support/hinge-air)

Browse online articles for setup help, usage tips, and information about additional features.

Connect with other users in our Community Forums to get advice, ask questions, and share solutions.

Find a wide selection of content including:

- Tutorials
- Troubleshooting
- Support community
- Online documentation
- Warranty information
- Spare parts (when available)

## Troubleshooting

**My iPad won't wake when I open the folio, and doesn't go into sleep mode when I close it.**

- Make sure your iPad is inserted in the iPad holder the right way round. When your iPad is inserted correctly, the camera on your iPad should be lined up with the camera access hole.

[www.logitech.com/support/hinge-air](http://www.logitech.com/support/hinge-air)



Hong Kong	800-966-992
-----------	-------------

Australia	1-800-025-544
-----------	---------------

Singapore	800-6011-372
-----------	--------------

New Zealand	0800-447-361
-------------	--------------





[www.logitech.com](http://www.logitech.com)

© 2014 Logitech. All rights reserved. Logitech, the Logitech logo, and other Logitech marks are owned by Logitech and may be registered. Apple and iPad are trademarks of Apple Inc., registered in the U.S. and other countries. All other trademarks are the property of their respective owners. Logitech assumes no responsibility for any errors that may appear in this manual. Information contained herein is subject to change without notice.

621-000283.002