




Hinge

Flexible case with any-angle stand
For iPad mini and iPad mini with Retina display

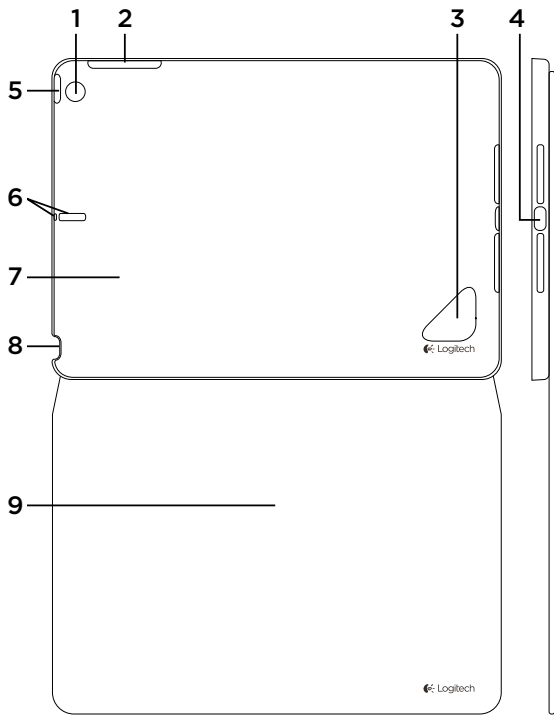


Setup Guide

Contents

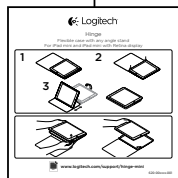
English.	3
www.logitech.com/support 	8

Know your product



1. Camera hole
2. Cut out for access to side switch
3. Detach hole
4. Cut out for access to charging port
5. Cut out for access to on/off button
6. Two microphone holes
7. iPad mini holder
8. Cut out for access to headphone socket
9. Protective folio
10. Product documentation

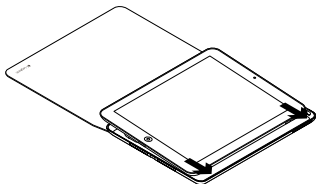
10



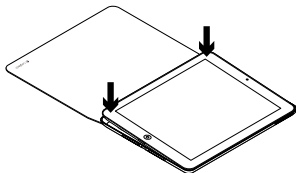
Setting up and using the folio with your iPad mini

Setting up your folio

1. Open the folio and insert your iPad mini into the protective shell:

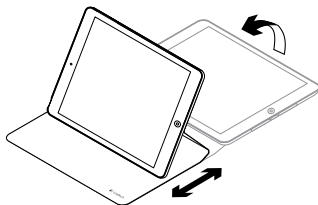


2. Push your iPad mini down:

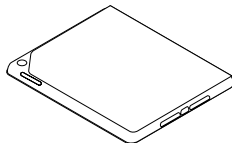


Using your iPad

Opening the folio wakes your iPad mini:



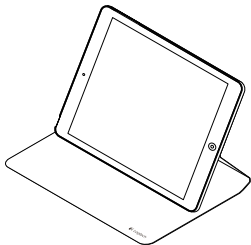
Closing the folio puts your iPad mini into sleep mode:



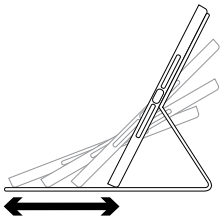
Two viewing positions

The folio provides two viewing positions—one for viewing media and another for browsing.

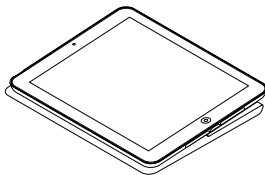
To view media, open your iPad mini:



In the viewing position you can adjust your iPad mini to any angle you feel comfortable with:



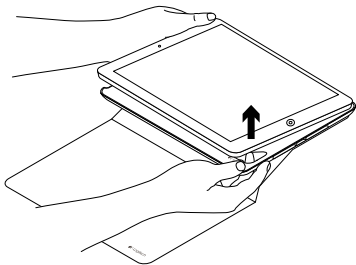
To browse, lie your iPad mini flat:



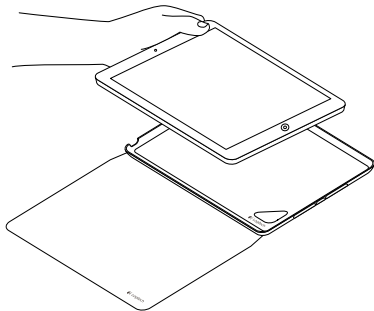
The browsing position lets you use your iPad mini easily with one hand.

Detaching your iPad mini

1. Push a finger through the hole in the back of the iPad mini holder to release your iPad mini:



2. Using your other hand, remove your iPad mini from the holder:



Visit Product Central

There's more information and support online for your product. Take a moment to visit Product Central to learn more about your new folio.

www.logitech.com/support/hinge-mini

Browse online articles for setup help, usage tips, and information about additional features.

Connect with other users in our Community Forums to get advice, ask questions, and share solutions.

Find a wide selection of content including:

- Tutorials
- Troubleshooting
- Support community
- Online documentation
- Warranty information
- Spare parts (when available)

Troubleshooting

My iPad mini won't wake when I open the folio, and doesn't go into sleep mode when I close it.

- Make sure your iPad mini is inserted in the iPad mini holder the right way round. When your iPad mini is inserted correctly, the camera on your iPad mini should be lined up with the camera access hole.

www.logitech.com/support/hinge-mini



Hong Kong	800-966-992
Australia	1-800-025-544
Singapore	800-6011-372
New Zealand	0800-447-361



www.logitech.com

© 2014 Logitech. All rights reserved. Logitech, the Logitech logo, and other Logitech marks are owned by Logitech and may be registered. Apple and iPad are trademarks of Apple Inc., registered in the U.S. and other countries. All other trademarks are the property of their respective owners. Logitech assumes no responsibility for any errors that may appear in this manual. Information contained herein is subject to change without notice.

621-000279.002