



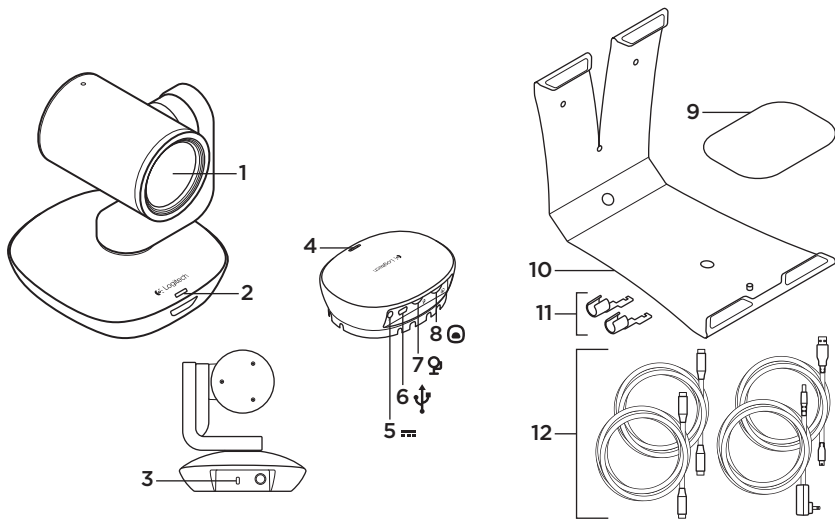
Logitech® ConferenceCam CC3000e
罗技® ConferenceCam CC3000e

Setup Guide
设置指南



English	4	简体中文	11
www.logitech.com/support			19

Know your product



Camera

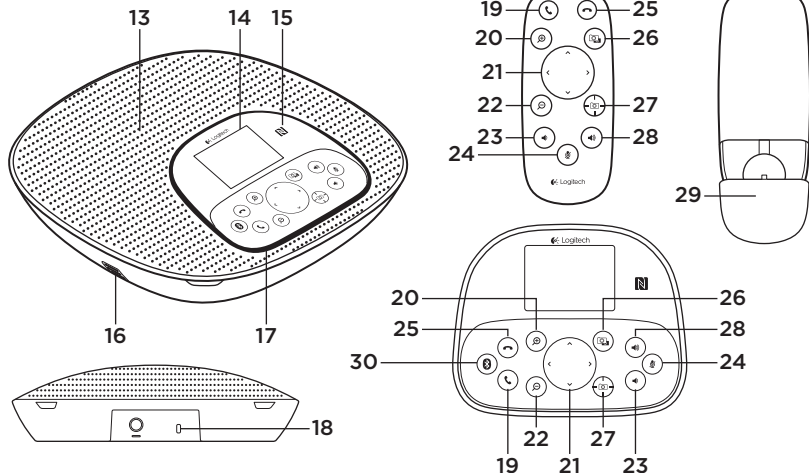
1. 10X lossless zoom
2. Camera LED
3. Kensington® Security Slot

Hub

4. Hub LED
5. Power
6. USB
7. Camera
8. Speakerphone

9. Hub velcro mount

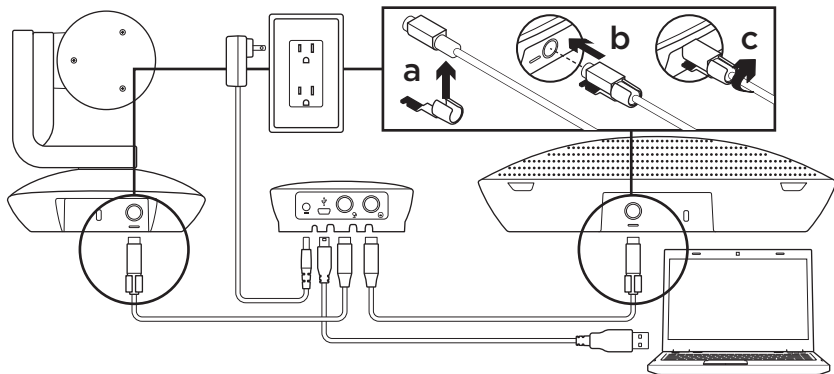
10. Camera mount
11. Cable locks
12. Cables



Speakerphone base and remote

- | | | |
|----------------------------------|------------------|-------------------------|
| 13. Speaker | 19. Answer | 25. Hang up |
| 14. LCD | 20. Zoom in | 26. Far end control |
| 15. NFC | 21. Pan and tilt | 27. Camera presets |
| 16. Microphones | 22. Zoom out | 28. Volume up |
| 17. Speakerphone LEDs | 23. Volume down | 29. Remote battery door |
| 18. Kensington®
Security Slot | 24. Mute | 30. <i>Bluetooth</i> ® |

Set up your product



1. Set up camera on table, or using mount on table or wall.
2. Connect cable to speakerphone and camera (refer to diagram above).
 - a. Attach Cable Lock to cable.
 - b. Plug Cable Lock into the slot of the housing.
 - c. Rotate the Cable Lock clockwise to lock the cable.
3. Connect to external power. The LCD will turn on and display the Logitech logo when receiving power.
4. To start a call from your PC or Mac application, connect the USB cable from the hub to your USB port. The speakerphone LCD will also prompt you to connect. The camera and speakerphone LEDs will flash to show that connection is taking place, and when completed, the camera head will rotate and the speakerphone will play a sound. If these activities do not take place, try again and then consult Troubleshooting or call technical support.

5. Start your video or audio call from your application. The LEDs on the camera and speakerphone will alight when streaming, and the LCD will display call information depending on your application's support.
6. To connect CC3000e speakerphone to your mobile device:



- If your device is NFC enabled, touch the mobile device to the NFC icon on the speakerphone, which should enable *Bluetooth* acceptance on the mobile device OR
 - Hold down the *Bluetooth* button until the blue LED on the speakerphone starts blinking rapidly. On your mobile device, go to settings and turn on *Bluetooth*.
- When the CC3000e is paired and connected, the icon will appear bright and when paired but not connected, it will be greyed out.
 - Note: The CC3000e cannot pair to *Bluetooth* while streaming to USB. If an attempt is made to pair to a mobile device while in a USB call, an error beep will sound. Please wait till the USB call is complete before pairing your mobile device.

Visit Product Central

Discover your product's full potential.

Get valuable information and usage tips by browsing easy-to-use FAQs. Find answers to product questions and get help setting up your product. See if there's software available for download that can enhance your product experience. To enjoy all the benefits of your Logitech product, visit www.logitech.com/support/cc3000e and take advantage of Logitech's wide range of useful support services:

- Product information
- Tutorials
- User "How to" One-Pager
- Troubleshooting
- Diagnostics
- Firmware upgrades
- Support community
- Software downloads
- In-box documentation
- Warranty information
- Spare parts (if available)

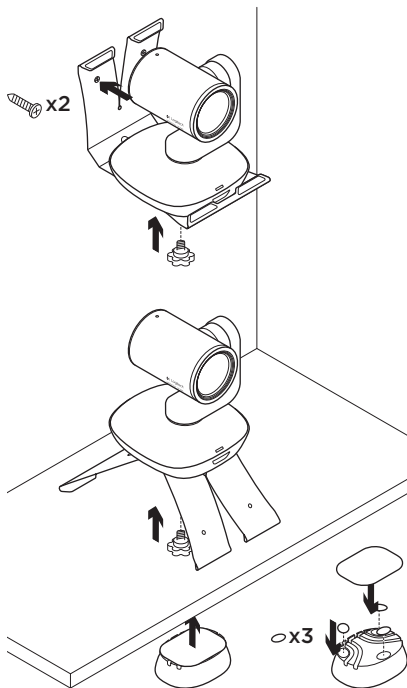
Use your product

Video

- **Starting the video:** The video is controlled by the application and will start once the camera is selected and the video is started in the application. An LED will light when the video is streaming.
- **Pan and tilt** the camera using the controls on the remote control or on the speakerphone console. Press once for incremental or press and hold for continuous pan or tilt. Caution: Do not manually rotate webcam head. Doing so may damage unit.
- **Zoom** the camera up to 10X by pressing the zoom button.
- **Camera Preset:** If you wish the camera to return to your own defined "home" position when reconnected to the PC, first select the position and then press and hold the Camera Preset button until the associated icon displays on the LCD and a beep plays to confirm the setting. You may also return to your defined home position at any time by pressing the Camera Preset button once.

- **Far end control:** By selecting this key and downloading the application from www.logitech.com/support/cc3000e, you may control the pan, tilt and zoom of a remote ConferenceCam CC3000e or a ConferenceCam BCC950 in supported applications. Camera selection and pan, tilt and zoom tools are also available from the downloadable application for PC as well as ability to disable this feature locally. Please visit the download page listed for more information.
- **Volume:** Volume Up and Down adjusts volume.
- **Mute:** Mute audio with Mute button.
- **Calling:** Run video conferencing software. Answer picks up call. Hang up ends call.
Note: Answer and Hang up buttons may not work in some applications. Use video conferencing software to answer and end call. To enable answer and hangup buttons for Skype or Cisco Jabber, please download the respective plug-ins available from www.logitech.com/support/cc3000e.
- **Speakerphone Activity light indications**
Blue: ConferenceCam is in active call.
Blinking blue: Call is being received.
Blinking blue light in call: Call has been put on hold (from hold function in application) Speakerphone blue activity light may not work in some applications.
Red: Audio is muted.
- **LCD Activity:** The LCD will display call activity as well as volume and connectivity status.
- **Bluetooth:** To connect CC3000e speakerphone to your mobile device for speakerphone broadcast of call:
 - If your device is NFC enabled, touch the mobile device to the NFC icon on the speakerphone, which should enable *Bluetooth* acceptance on the mobile device OR
 - Hold down the *Bluetooth* button until the blue LED on the speakerphone starts blinking rapidly. On your mobile device, go to settings and turn on *Bluetooth*.
 - When the CC3000e is paired and connected, the icon will appear bright and when paired but not connected, it will be greyed out.

Mounting your camera and hub



Changing the remote control battery

The CC3000e remote control runs on a Li-ion CR2032 battery. Battery life will vary based on usage.

Troubleshooting tips

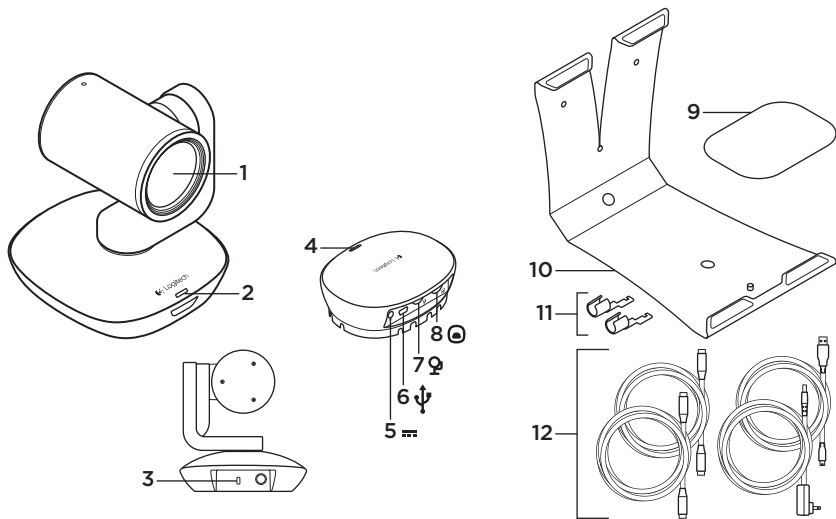
Please visit www.logitech.com/support/cc3000e for troubleshooting tips, information on software tools and for a diagnostic tool to help troubleshoot issues you may have with your CC3000e.

What do you think?

Please take a minute to tell us. Thank you for purchasing our product.

www.logitech.com/ithink

了解您的产品



摄像头

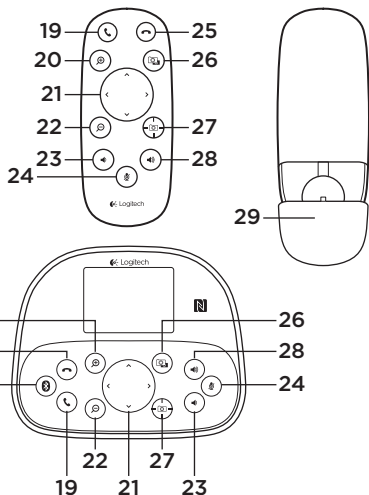
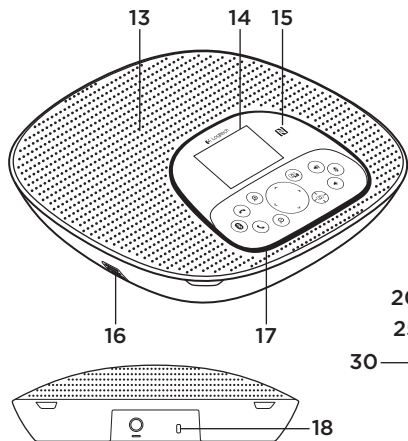
1. 10X 无损变焦
2. 摄像头指示灯
3. Kensington® 防盗锁插孔

集线器

4. 集线器指示灯
5. 电源
6. USB
7. 摄像头
8. 扬声器电话

9. 集线器维可牢底座

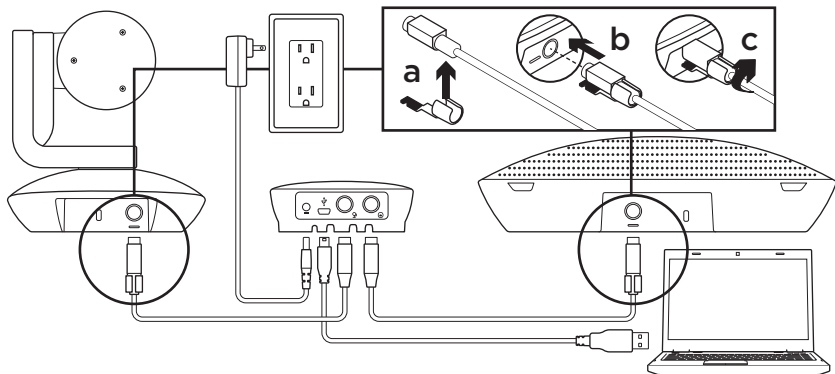
10. 摄像机底座
11. 线缆锁
12. 线缆



扬声器电话底座和遥控器

- | | | |
|--------------------------|-------------|------------|
| 13. 音箱 | 19. 接听 | 25. 挂断 |
| 14. 液晶显示器 (LCD) | 20. 放大 | 26. 远端控制 |
| 15. NFC | 21. 水平与垂直摄像 | 27. 摄像头预置 |
| 16. 麦克风 | 22. 缩小 | 28. 调高音 |
| 17. 扬声器电话指示灯 | 23. 调低音 | 29. 遥控器电池盖 |
| 18. Kensington®
防盗锁插孔 | 24. 静音 | 30. 蓝牙® |

设置您的产品



1. 将摄像头置于桌子上，或通过底座将摄像头支在桌子或墙上。
2. 连接扬声器电话和摄像头的线缆（参照上述示意图）。
 - a. 在线缆上安装线缆锁。
 - b. 将线缆锁插入外壳的插槽。
 - c. 按照顺时针方向旋转线缆锁以锁定线缆。
3. 连接外部电源。接通电源后 LCD 将打开并显示罗技商标。
4. 要使用 PC 或 Mac 应用程序开始通话，先将 USB 连接线从集线器连接到 USB 端口。扬声器电话 LCD 也将提示您连接设备。摄像头和扬声器电话指示灯闪烁，表示正在连接，连接成功后，摄像头旋转，同时扬声器电话播放声音。若上述情况并未出现，再试一次，如果依然无效，请查看疑难解答或致电技术支持。

- 通过应用程序启动视频或音频通话。
播放时，摄像头和扬声器电话上的指示灯将亮起，LCD 将根据应用程序的支持功能显示相应的电话信息。
- 将 CC3000e 扬声器电话连接到移动设备：



- 如果您的设备已启用 NFC，触控移动设备连接扬声器电话的 NFC 按钮，在移动设备上接收蓝牙或者
- 按住蓝牙按钮，直到扬声器电话上的蓝色 LED 指示灯开始快速闪烁。打开移动设备上的蓝牙设置，开启蓝牙。

- 若 CC3000e 配对并连接，图标会亮起，若配对但未连接，图标将显示灰色。
- 请注意：CC3000e 通过 USB 播放时不能与蓝牙配对。如果在 USB 通话时尝试与移动设备配对，则会听到错误提示音。请等待 USB 通话结束再与移动设备配对。

访问产品中心

全面发掘产品潜力。请浏览常见问答集，了解相关的实用信息和技巧。查询有关产品问题的答案及产品安装帮助。查看是否有软件可供下载，提升产品体验。如需尽享罗技产品的所有优势，请访问 www.logitech.com/support/cc3000e，充分利用罗技体贴周到的支持服务：

- 产品信息
- 教程
- 用户操作指南
- 疑难解答
- 诊断
- 固件升级
- 支持社区
- 软件下载
- 包装盒内文件
- 保修信息
- 备用部件（若有供应）

使用您的产品

视频

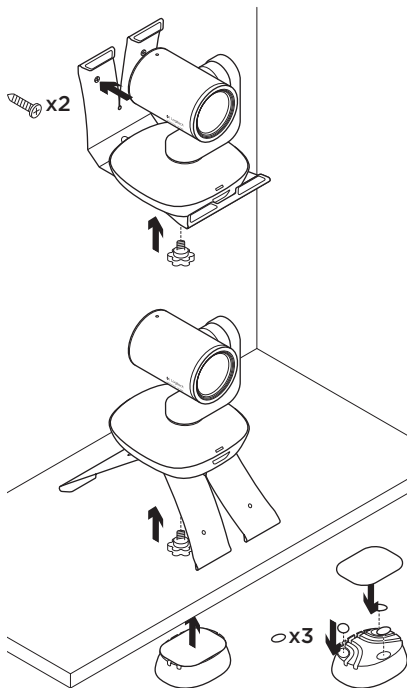
- **观看视频：**视频由应用程序控制，选择摄像头时启动并在应用程序中播放。视频播放时，指示灯亮起。
- **使用遥控器**上的控制装置或扬声器电话控制台可**上下左右移动调整摄像头**。单次按下可进行增量调节，按住不放可连续进行上下左右调整。注意：请勿手动旋转网络摄像头。否则可能损坏设备。
- **按下缩放键**，可实现摄像头 10X 变焦。
- **摄像头预置：**如果想在重新连接 PC 时将摄像头恢复到自定义的“主页”位置，请先选择相应位置，然后长按摄像头预置按钮直至 LCD 显示相关图标，听到提示音确认设置。按下摄像头预置按钮，也可随时恢复到自定义主页位置。

- **远端控制:** 通过此键及在 www.logitech.com/support/cc3000e 下载的应用程序，可以远程控制 ConferenceCam CC3000e 或 ConferenceCam BCC950，实现平移、倾斜和变焦功能。通过 PC 下载的应用程序可以实现摄像头选择及平移、倾斜和变焦功能，同时也可以在本机禁用该功能。请访问下载页面查看更多信息。
- **音量:** 使用“调高音量”和“调低音量”来调节音量。
- **静音:** 使用静音按钮关掉音频。
- **通话:** 运行视频会议软件。使用“接听”接听通话。使用“挂断”结束通话。

请注意：“接听”和“挂断”按钮在某些应用程序中可能无法使用。使用视频会议软件接通和挂断电话。如需在 Skype 或 Cisco Jabber 中启用接听和挂断功能，请从 www.logitech.com/support/cc3000e 下载相应的可用插件。

- **扬声器电话活动指示灯状态为蓝灯:** ConferenceCam 正在通话中。闪烁蓝灯：电话正在接通中。在通话中闪烁蓝灯：(通过应用程序的待机功能) 暂停通话。扬声器电话蓝色活动指示灯在某些应用程序中可能无法正常工作。
- **红灯:** 音频静音。
- **LCD 活动:** LCD 将显示通话活动、音量及连接状态。
- **蓝牙:** 将 CC3000e 扬声器电话连接到移动设备，可实现扬声通话：
 - 如果您的设备已启用 NFC，触控移动设备连接扬声器电话的 NFC 按钮，在移动设备上接收蓝牙或者
 - 按住蓝牙按钮，直到扬声器电话上的蓝色 LED 指示灯开始快速闪烁。打开移动设备上的蓝牙设置，开启蓝牙。
 - 若 CC3000e 配对并连接，图标会亮起，若配对但未连接，图标将显示灰色。

安装摄像头与集线器



更换遥控器电池

CC3000e 遥控器使用 CR2032 锂离子电池。电池寿命依使用情况而异。

故障排除技巧

请访问 www.logitech.com/support/cc3000e, 查看故障排除技巧、软件工具信息及诊断工具, 以帮助您解决 CC3000e 的相关问题。

您对本产品有何感想?

欢迎拨冗告知我们。
感谢您购买罗技产品。

www.logitech.com/ithink

www.logitech.com/support/cc3000e

Table of Toxic and Hazardous Substances/Elements and their Content

产品中有毒有害物质或元素的名称及含量
根据中国<<电子信息产品污染控制管理办法>>

Webcam 网络摄像头						
有毒有害物质或元素						
部件名称	铅 (Pb)	汞 (Hg)	镉 (Cd)	六价铬 (Cr(VI))	多溴联苯 (PBB)	多溴二苯醚 (PBDE)
电缆 Cable	X	○	○	○	○	○
电路板组件 PWAs	X	○	○	○	○	○
塑料外壳 Plastic enclosure	○	○	○	○	○	○
塑料部件 Plastic parts	○	○	○	○	○	○
镜头 Lens	○	○	○	○	○	○

○ = 表示该有毒有害物质在该部件所有均质材料中的含量均在 SJ/T11363-2006 标准规定的限量要求以下。

X = 表示该有毒有害物质至少在该部件的某一均质的含量超出 SJ/T11363-2006 标准规定的限量要求。

表中标有“X”的所有部件都符合欧盟 RoHS 法规

“欧洲议会和欧盟理事会 2003 年 1 月 27 日关于电子电器设备中限制使用某些有害物质的 2002/95/EC 号指令”

注：环保使用期限的参考标取决于产品正常工作的温度和湿度等条件



www.logitech.com

© 2014 Logitech. All rights reserved. Logitech, the Logitech logo, and other Logitech marks are owned by Logitech and may be registered. Microsoft, Windows Vista, Windows, and the Windows logo are trademarks of the Microsoft group of companies. *Bluetooth* is a registered trademark of Bluetooth SIG, Inc. All other trademarks are the property of their respective owners. Logitech assumes no responsibility for any errors that may appear in this manual. Information contained herein is subject to change without notice.

版权所有 © 2014 年罗技。罗技、罗技标志、Logitech 和其他罗技商标均归罗技所有， 并已注册。Microsoft、Windows Vista、Windows 和 Windows 标志是 Microsoft 集团公司的商标。蓝牙是 Bluetooth SIG, Inc. 的注册商标。所有其他商标均是各自所有者的财产。罗技对于本手册中可能出现的任何错误不承担任何责任。本手册中包含的信息如有更改，恕不事先通知。

620-005281.004