



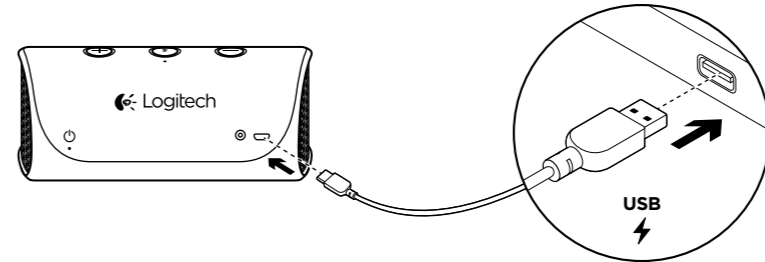
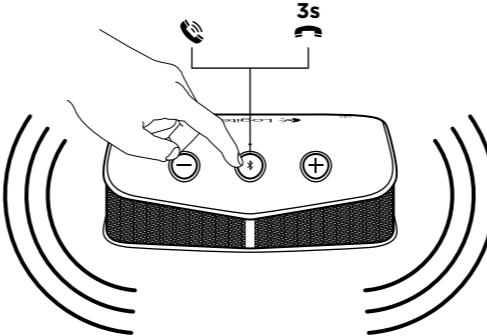
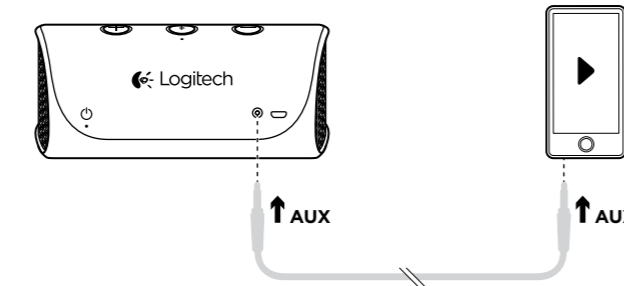
1-year limited hardware warranty  
1年有限硬體保固  
1년 제한 하드웨어 보증

Logitech assumes no responsibility for any errors that may appear in this manual. Information contained herein is subject to change without notice.

© 2014 Logitech. Logitech, the Logitech logo, and other Logitech marks are owned by Logitech and may be registered. The Bluetooth word mark and logos are registered trademarks owned by Bluetooth SIG, Inc. and any use of such marks by Logitech is under license. All other trademarks are property of their respective owners.  
Made in China.

620-006084.003

### 3.2 ▶



[www.logitech.com/support/x300](http://www.logitech.com/support/x300)