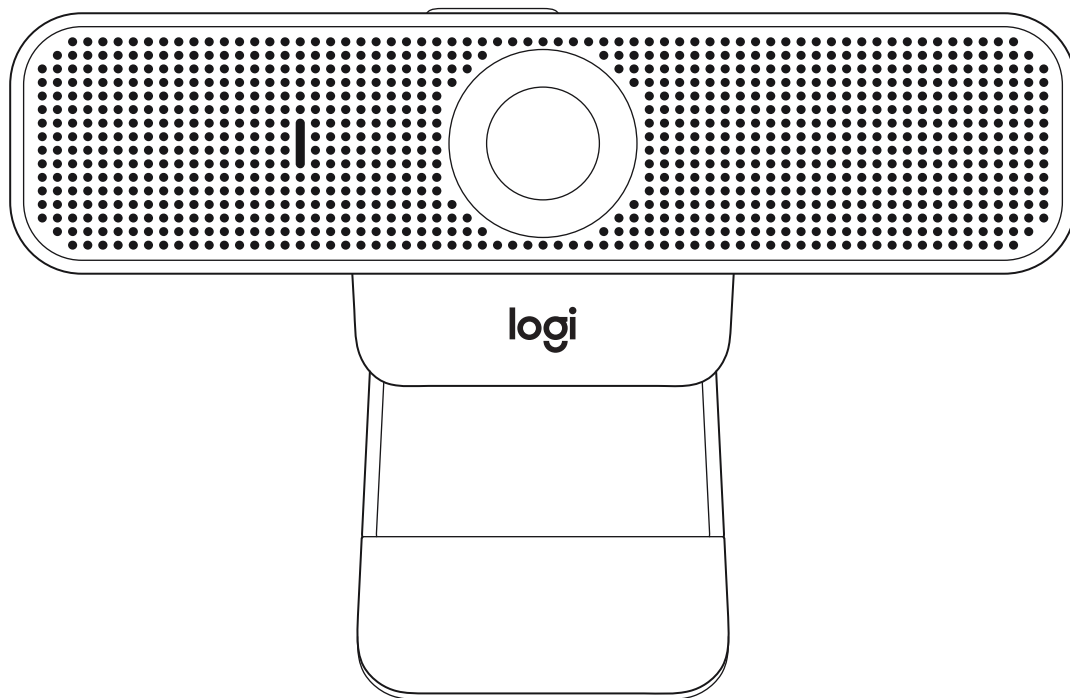


# C925e BUSINESS WEBCAM

Complete Setup Guide  
设置指南

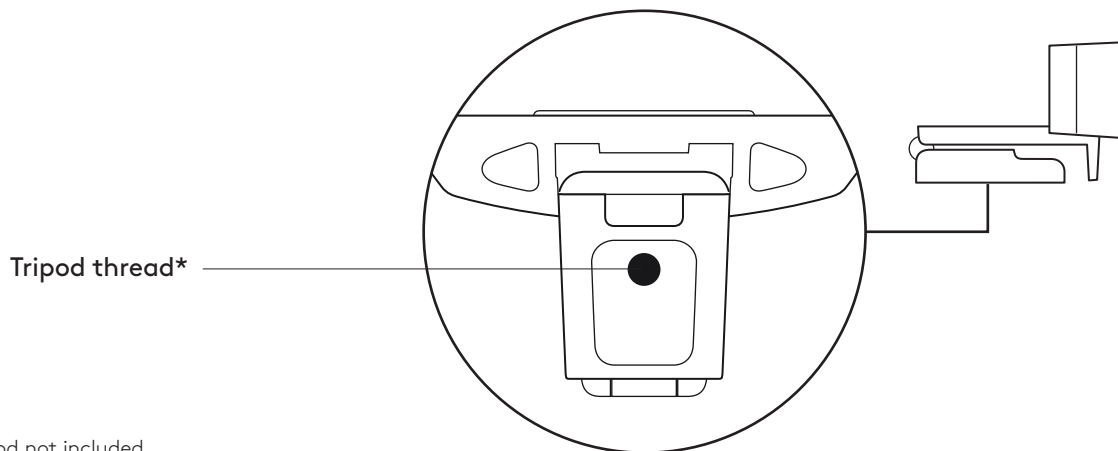
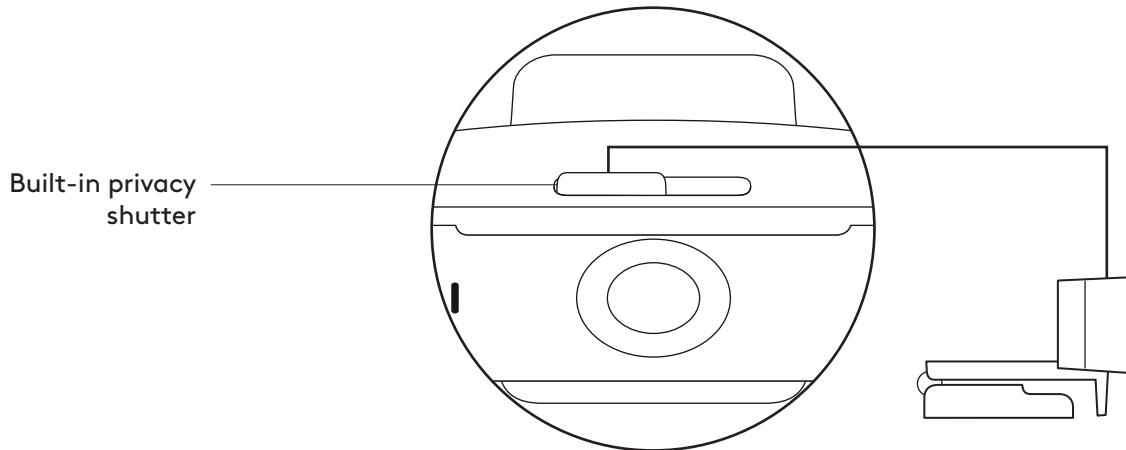
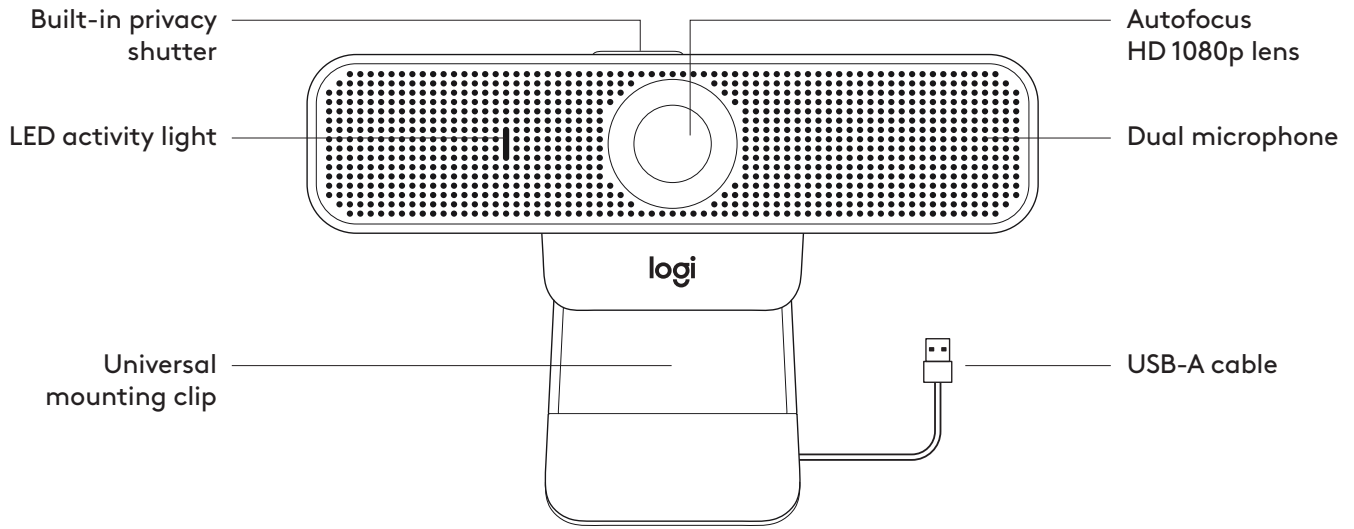


# CONTENTS

English . . . . .3

简体中文 . . . . .7

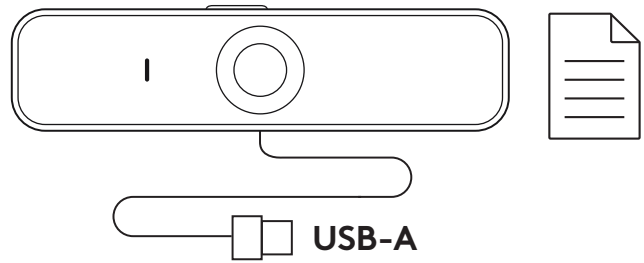
# KNOW YOUR PRODUCT



\* Tripod not included

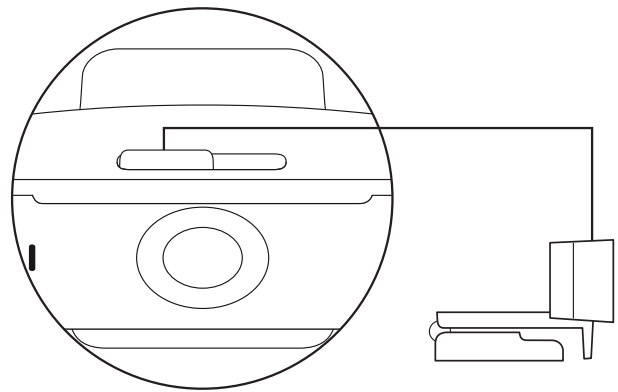
## WHAT'S IN THE BOX

- 1 Webcam with 6 ft (1.83 m) attached USB-A cable
- 2 User documentation

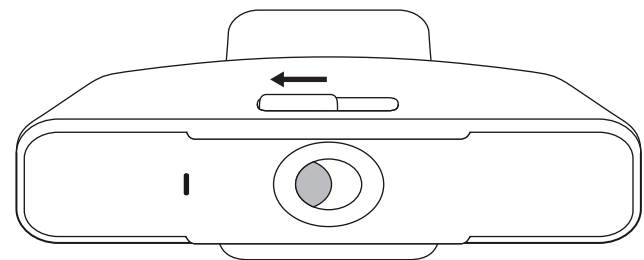


## CONTROLLING THE BUILT-IN PRIVACY SHUTTER

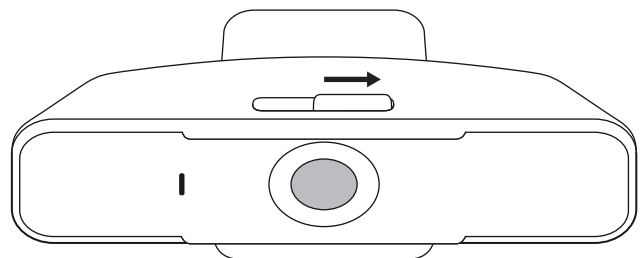
- 1 C925e is designed with an integrated privacy shutter. The slider to open/close the shutter is located on top of the webcam, directly above the camera lens.



- 2 To open the privacy shutter, move the slider to the left.



- 3 To close the privacy shutter and cover the lens, move the slider to the right. The lens will appear white when the privacy shutter is closed.



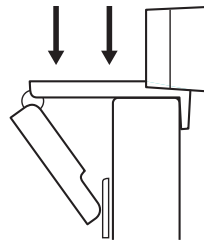
## SETTING UP THE WEBCAM

For placement on a monitor

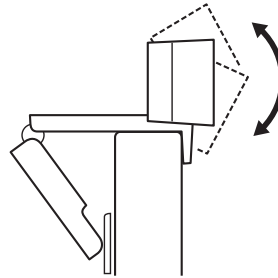
- 1 Place your webcam on a computer, laptop or monitor at a position or angle you desire.



- 2 Adjust the webcam to make sure the foot on the universal mounting clip is flush with the back of your device.

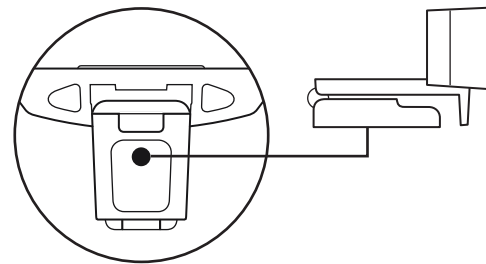


- 3 Manually adjust the webcam up/down to the best position to frame yourself.

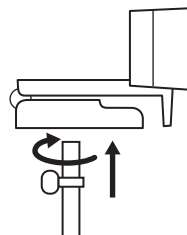


For placement on a tripod\*

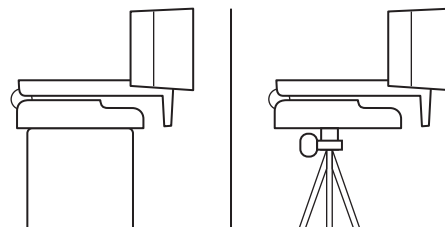
- 1 Locate the 1/4 inch tripod thread on the bottom of the universal mounting clip.



- 2 Secure the webcam on your tripod by twisting it into the 1/4 inch thread.



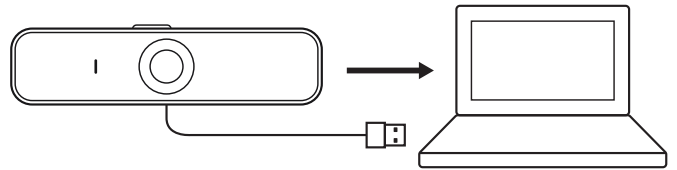
- 3 Place your webcam with the tripod anywhere you desire to the best position to frame yourself.



\* Tripod not included

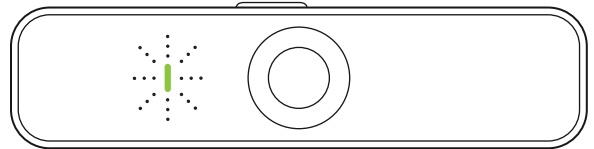
## CONNECTING THE WEBCAM VIA USB-A

Plug the USB-A connector into the USB-A port on your computer.



## SUCCESSFUL CONNECTION

LED activity light will light up when the webcam is in use by an application.



## DIMENSIONS

### INCLUDING FIXED MOUNTING CLIP:

Height x Width x Depth:

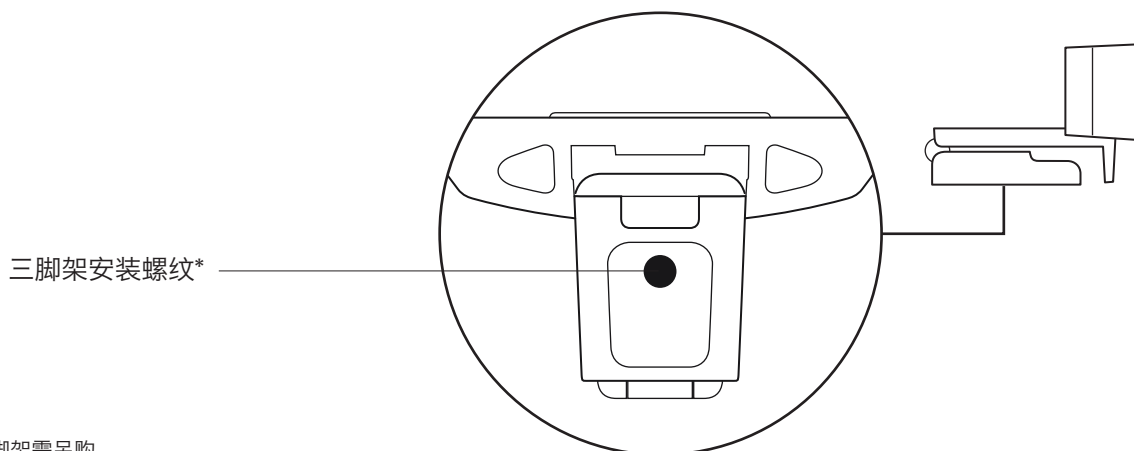
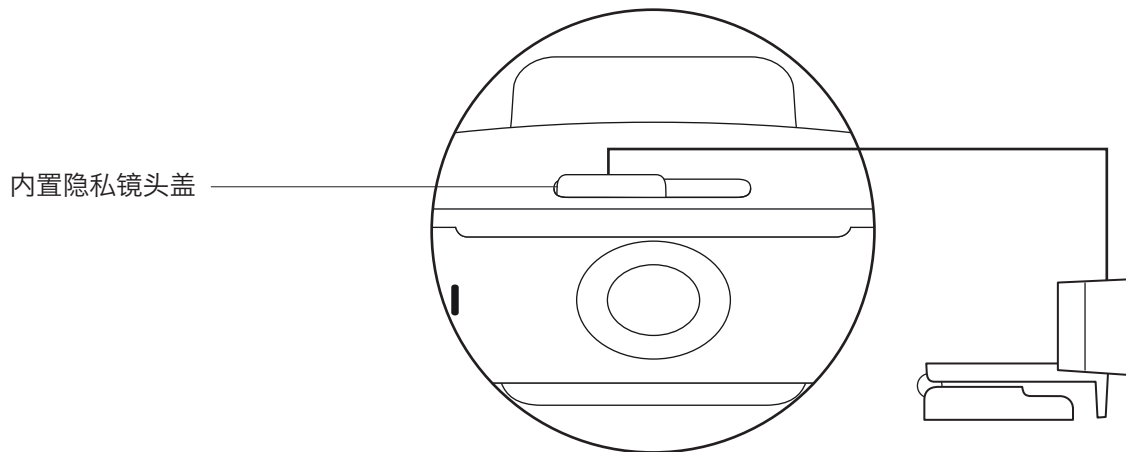
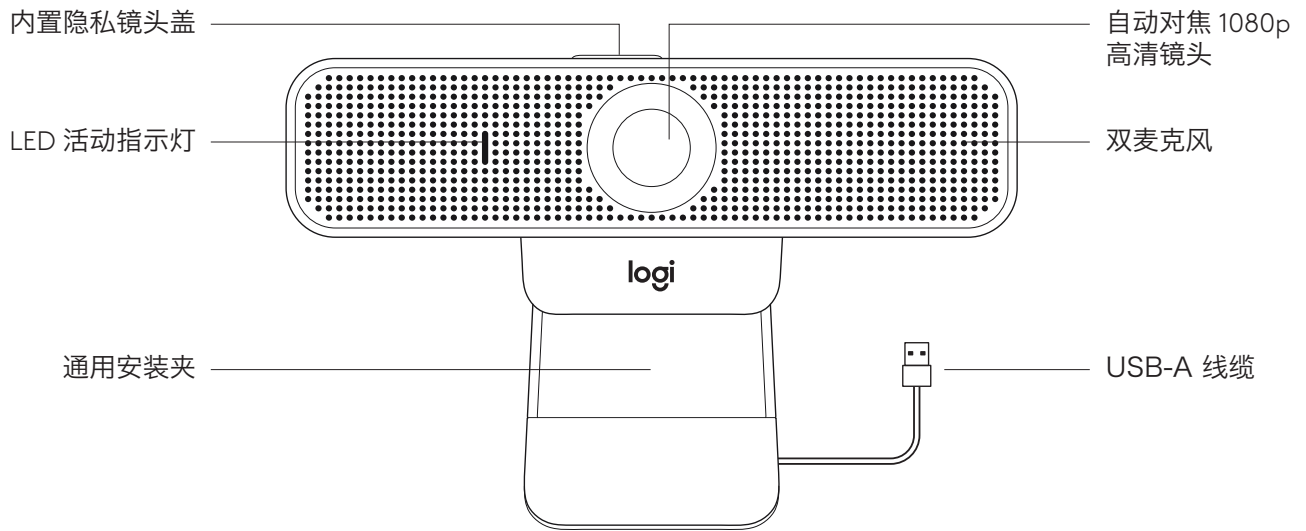
2.9 in (73 mm) x 5.0 in (126 mm) x 1.8 in (45 mm)

Cable Length: 6 ft (1.83 m)

Weight: 6.0 oz (170 g)

[www.logitech.com/support/C925e](http://www.logitech.com/support/C925e)

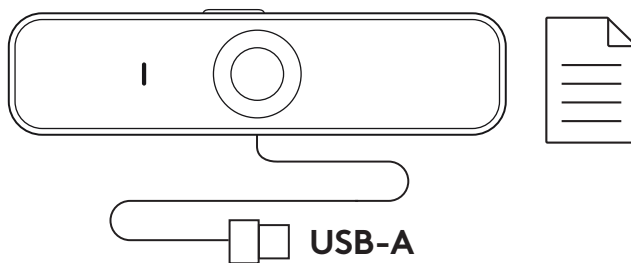
# 了解您的产品



\*三脚架需另购

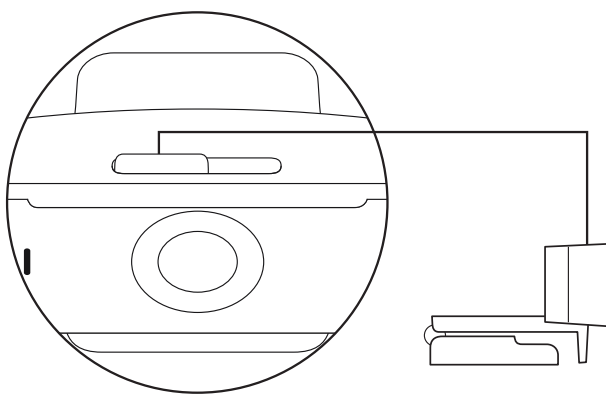
## 包装内容

- 1 网络摄像头，附约 1.83 米 USB-A 线缆
- 2 用户文档

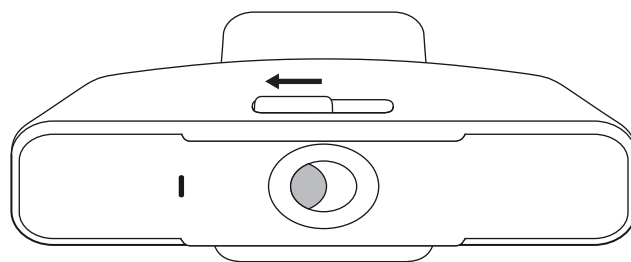


## 控制内置隐私镜头盖

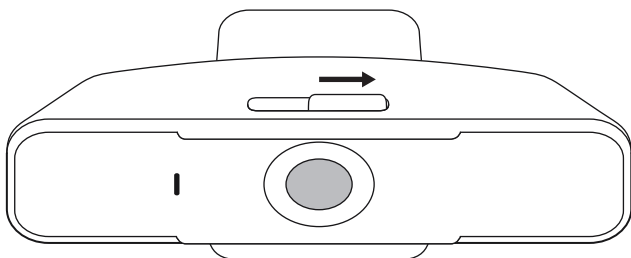
- 1 C925e 设计集成隐私镜头盖。打开/关闭镜头盖的滑块位于网络摄像头的上方，镜头的正上方。



- 2 要打开隐私镜头盖，请将滑块向左移动。



- 3 要关闭隐私镜头盖遮挡镜头，请向右移动滑块。关闭隐私镜头盖时，镜头将呈现为白色。

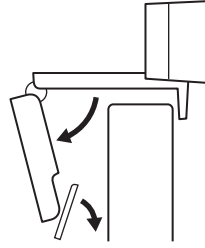




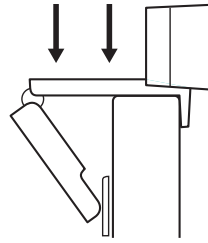
## 设置网络摄像头

### 放置于显示器上

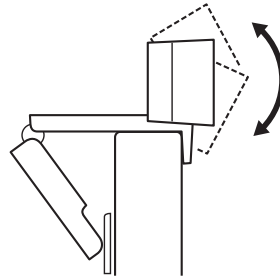
1 将网络摄像头以所需的位置或角度放置在电脑、笔记本电脑或显示器上。



2 调节网络摄像头，确保通用安装夹支脚与显示器背面齐平。

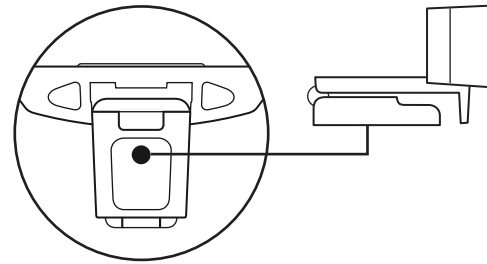


3 手动将网络摄像头上/下调节至合适的构图位置。

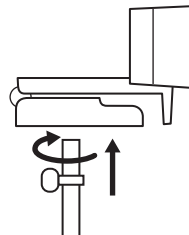


### 放置于三脚架上\*

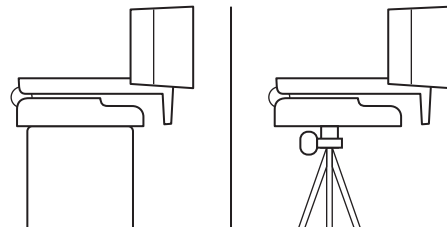
1 找到通用安装夹底部的 1/4 英寸三脚架安装螺纹。



2 将三脚架拧入 1/4 英寸安装螺纹，将网络摄像头固定于三脚架上。



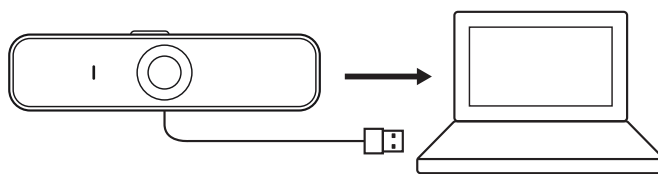
3 将网络摄像头和三脚架放置于您想要的合适位置以构图。



\*三脚架需另购

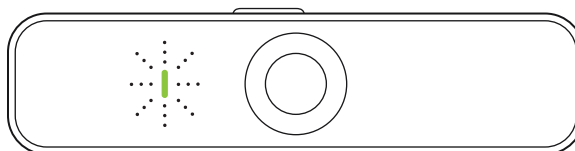
## 通过 USB-A 连接网络摄像头

将 USB-A 接头插入电脑的 USB-A 端口。



## 成功连接

当应用程序使用网络摄像头时，LED 活动指示灯将点亮。



## 规格

### 包括固定的安装夹：

高 x 宽 x 深：

约 73 毫米 x 约 126 毫米 x 约 45 毫米

线缆长度：约 1.83 米

重量：约 170 克

[www.logitech.com/support/C925e](http://www.logitech.com/support/C925e)