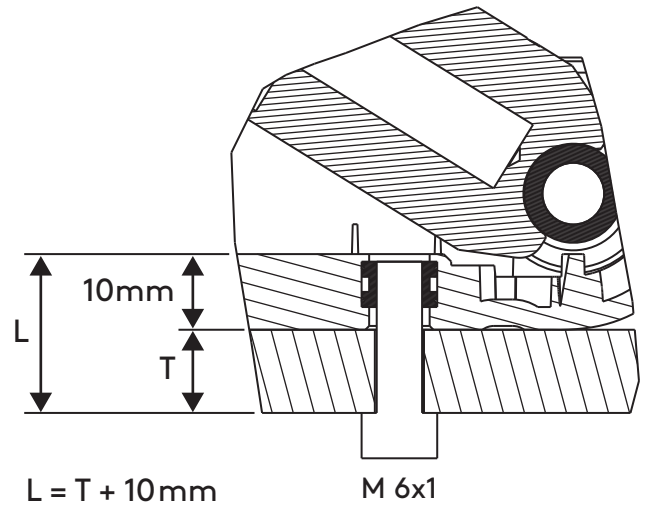
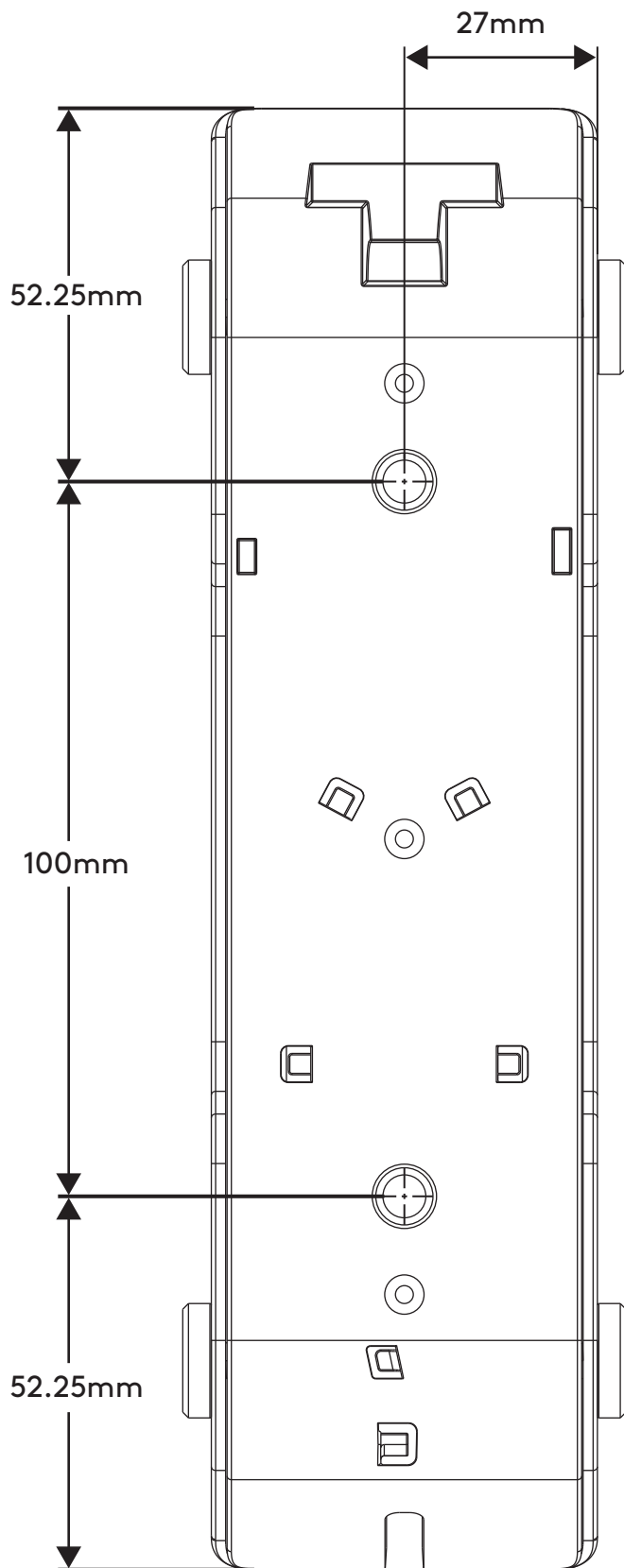


# PRO RACING PEDAL MODULE TEMPLATE



$$L = T + 10 \text{ mm}$$

M 6x1