

# G304 X

LIGHTSPEED Wireless Gaming Mouse  
无线游戏鼠标

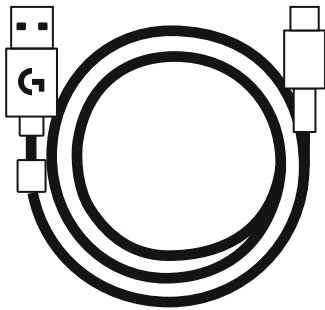
SETUP GUIDE | 设置指南





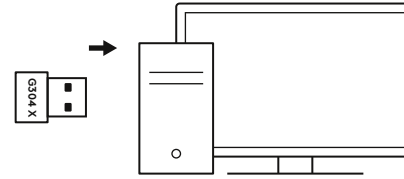
ENGLISH . . . . . 3

简体中文 . . . . . 7

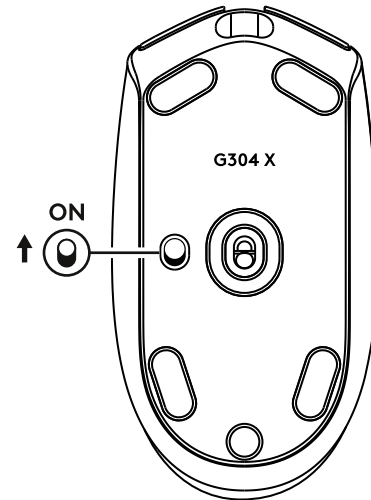


# SETUP INSTRUCTIONS

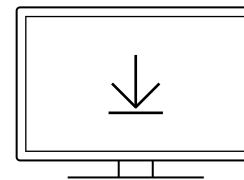
1. Connect the receiver to the computer's USB-A Port.  
(The receiver is stored in the package)



2. Turn the power on.



3. Download the G HUB software. (Optional)

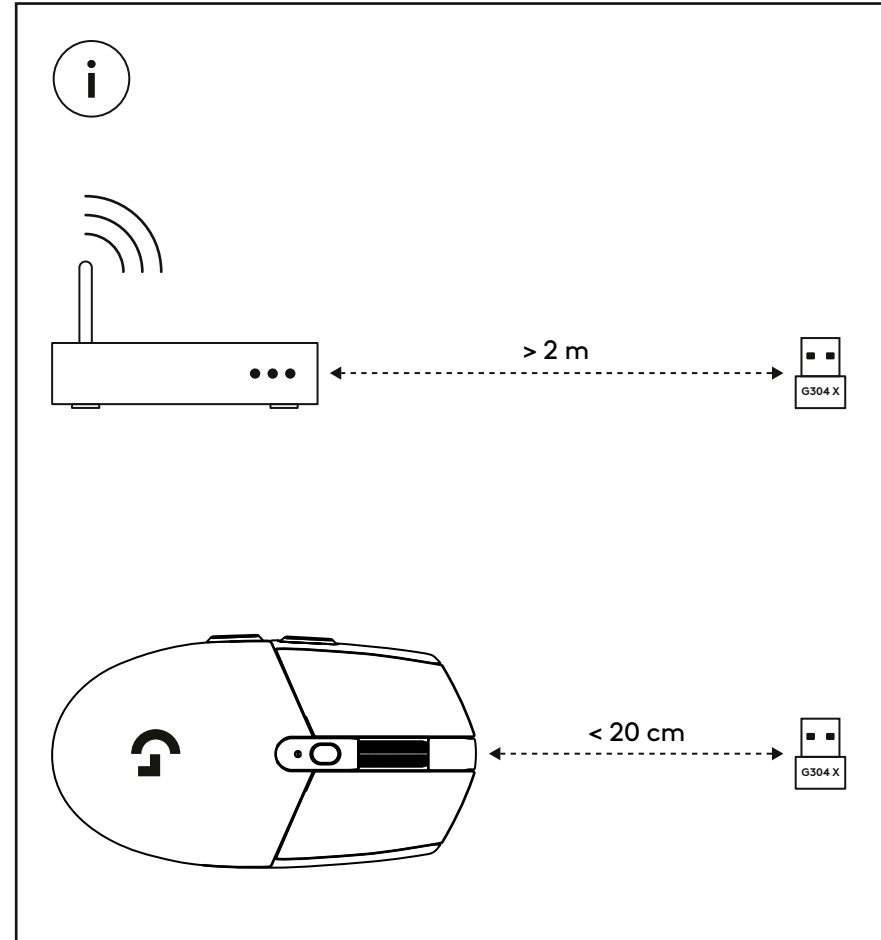


[logitechG.com/ghub](https://logitechG.com/ghub)  
[logitechG.com/support](https://logitechG.com/support)

**Tips:**

- Keep the mouse and receiver at least 2 m away from wireless routers or other 2.4GHz wireless devices to minimize environmental noise.
- G304 X has a wireless range of up to 10 meters\*. To ensure optimal performance in noisy wireless environments, it is recommended to keep the receiver within 20 cm of the mouse.

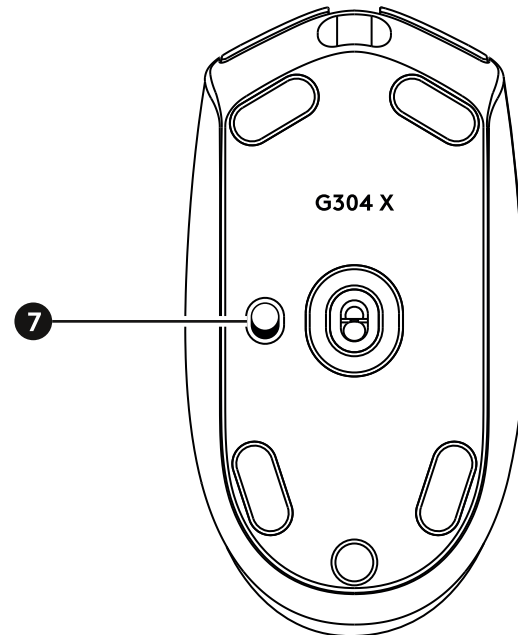
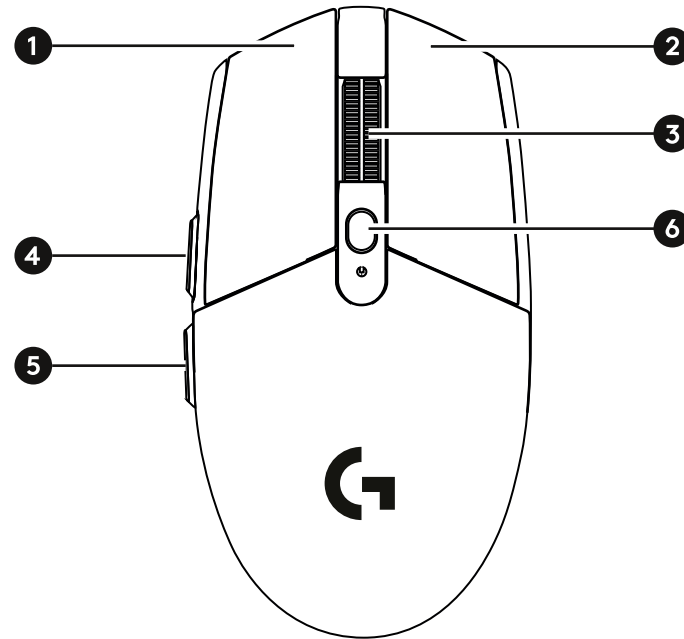
\* Wireless range may vary depending on the operating environment and computer/system setup.



## 6 PROGRAMMABLE BUTTONS

- 1 Left (Button 1)
- 2 Right (Button 2)
- 3 Wheel click (Button 3)
- 4 Forward (Button 4)
- 5 Back (Button 5)
- 6 DPI cycle (Button 6)

On/Off switch (bottom of mouse, not programmable)



# LED INDICATOR

## Battery life

Flashing red: battery <15%

## DPI

White: 800 DPI (default)

Orange: 1200 DPI

Teal: 1600 DPI

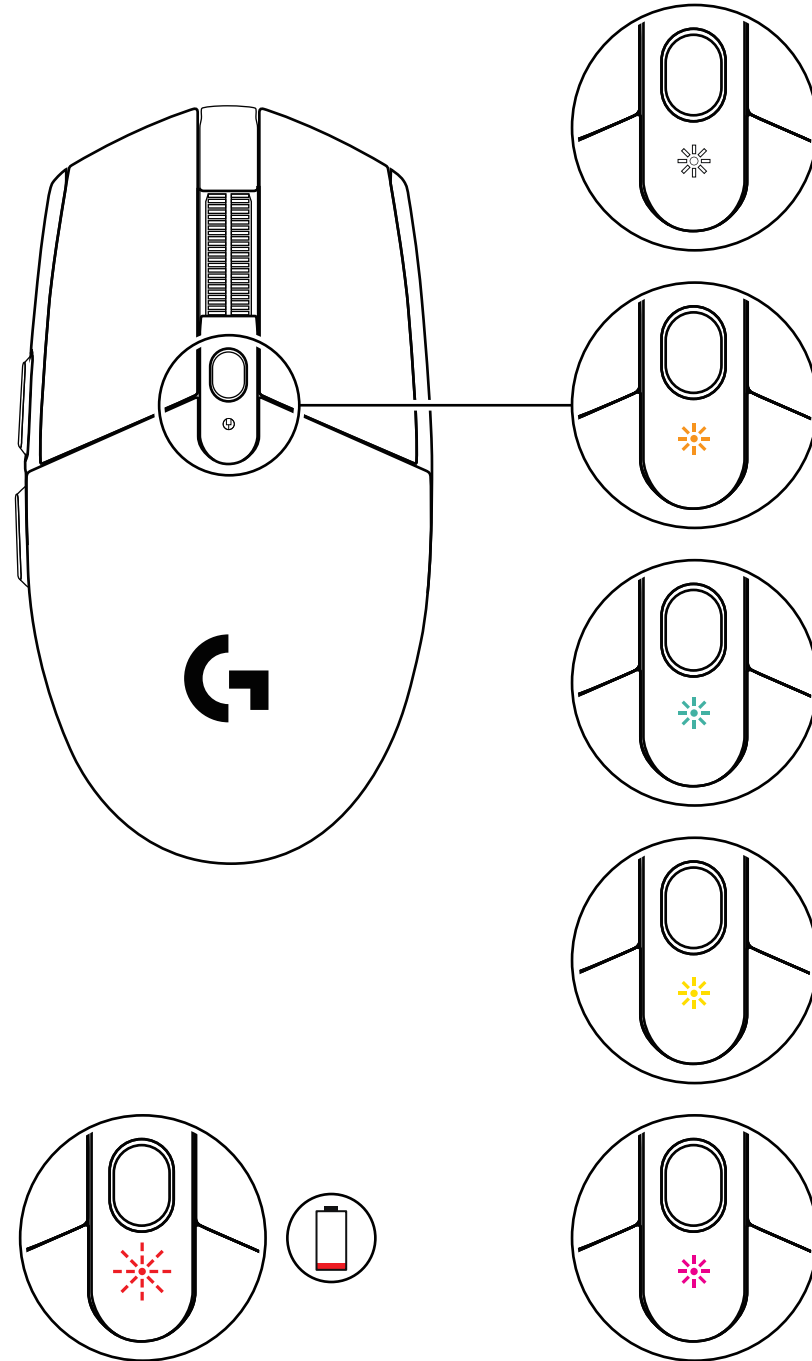
Yellow: 2400 DPI

Magenta: 3200 DPI

# G HUB SOFTWARE (OPTIONAL)

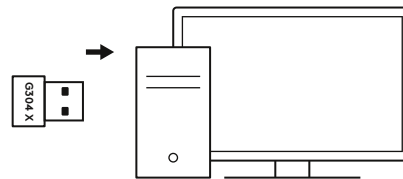
You can customize the onboard profile settings using the G HUB. These settings include button programming, report rate, performance and tracking behavior. G304 X allows up to 5 DPI settings. By default, it has the following settings:

- DPI: 800/1200/1600/2400/3200
- Report rate: 1ms

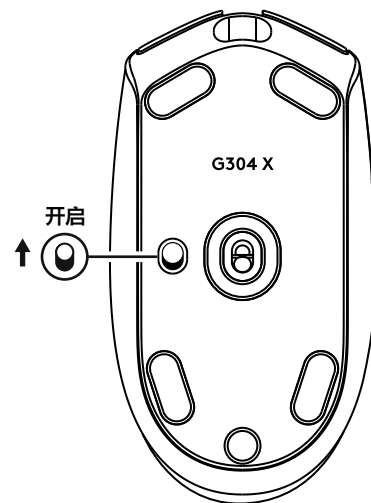


# 设置说明

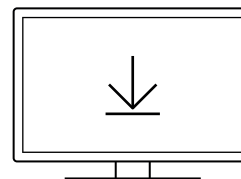
1. 将接收器插入电脑端的USB-A接口  
(接收器出厂时存放在包装盒内)



2. 打开电源开关



3. 下载 G HUB 软件 (可选)

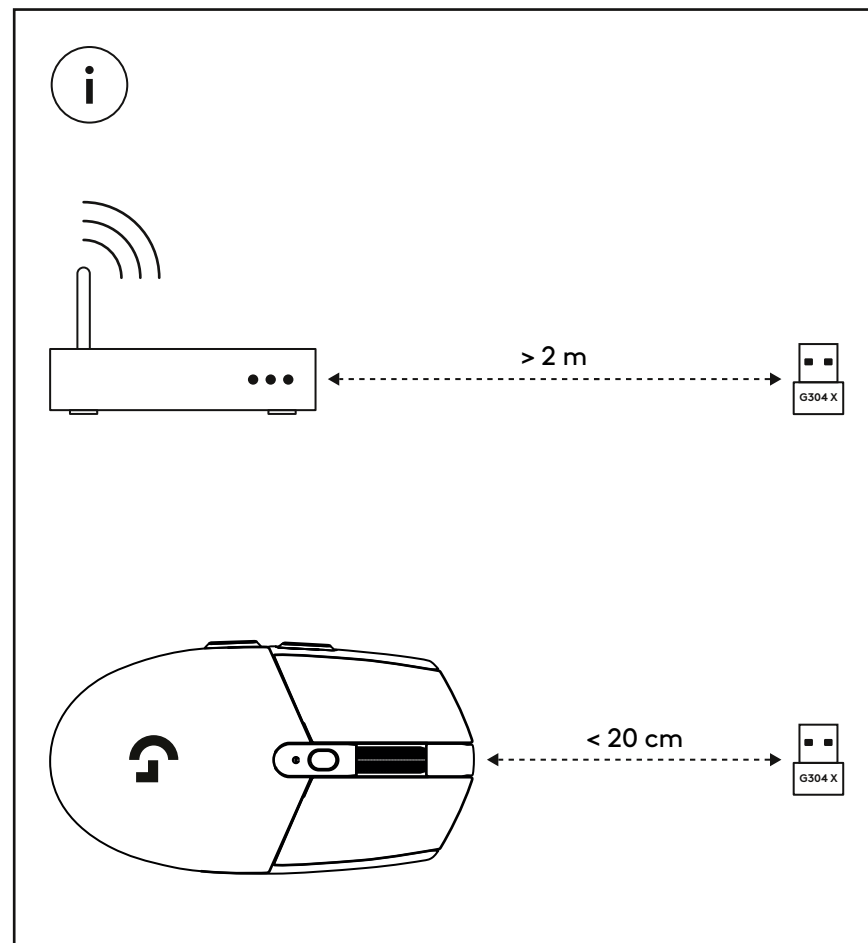


[logitechG.com/ghub](https://logitechG.com/ghub)  
[logitechG.com/support](https://logitechG.com/support)

## 提示:

- 请将鼠标和接收器分别与路由器或其他 2.4GHz 无线设备之间的距离保持在至少 2 米以上，以降低环境干扰。
- G304 X的无线连接范围可达 10 米\*。若欲在嘈杂无线环境中保证鼠标的优良性能，建议将接收器和鼠标之间的距离保持在 20 厘米之内。

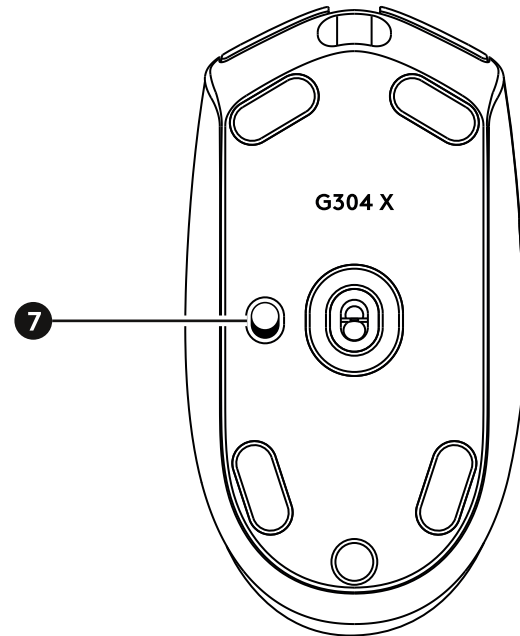
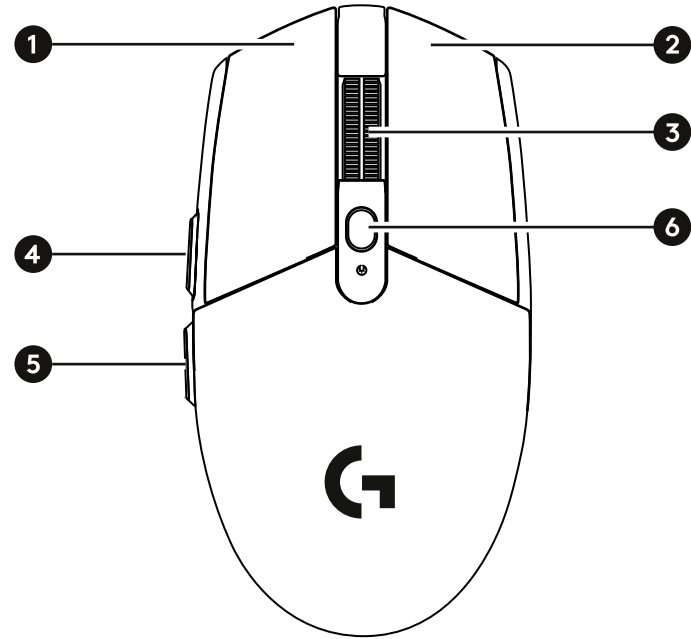
\* 无线范围依用户环境和系统设置而异。



## 6 个可编程按钮

- 1 左键 (按钮 1)
- 2 右键 (按钮 2)
- 3 滚轮点击 (按钮 3)
- 4 前进 (按钮 4)
- 5 后退 (按钮 5)
- 6 DPI 循环切换 (按钮 6)

开启/关闭 开关 (位于鼠标底部, 不可编程)



# LED 指示灯

闪烁红色: 电量 <15%

## DPI

白色: 800 DPI (默认)

橙色: 1200 DPI

青色: 1600 DPI

黄色: 2400 DPI

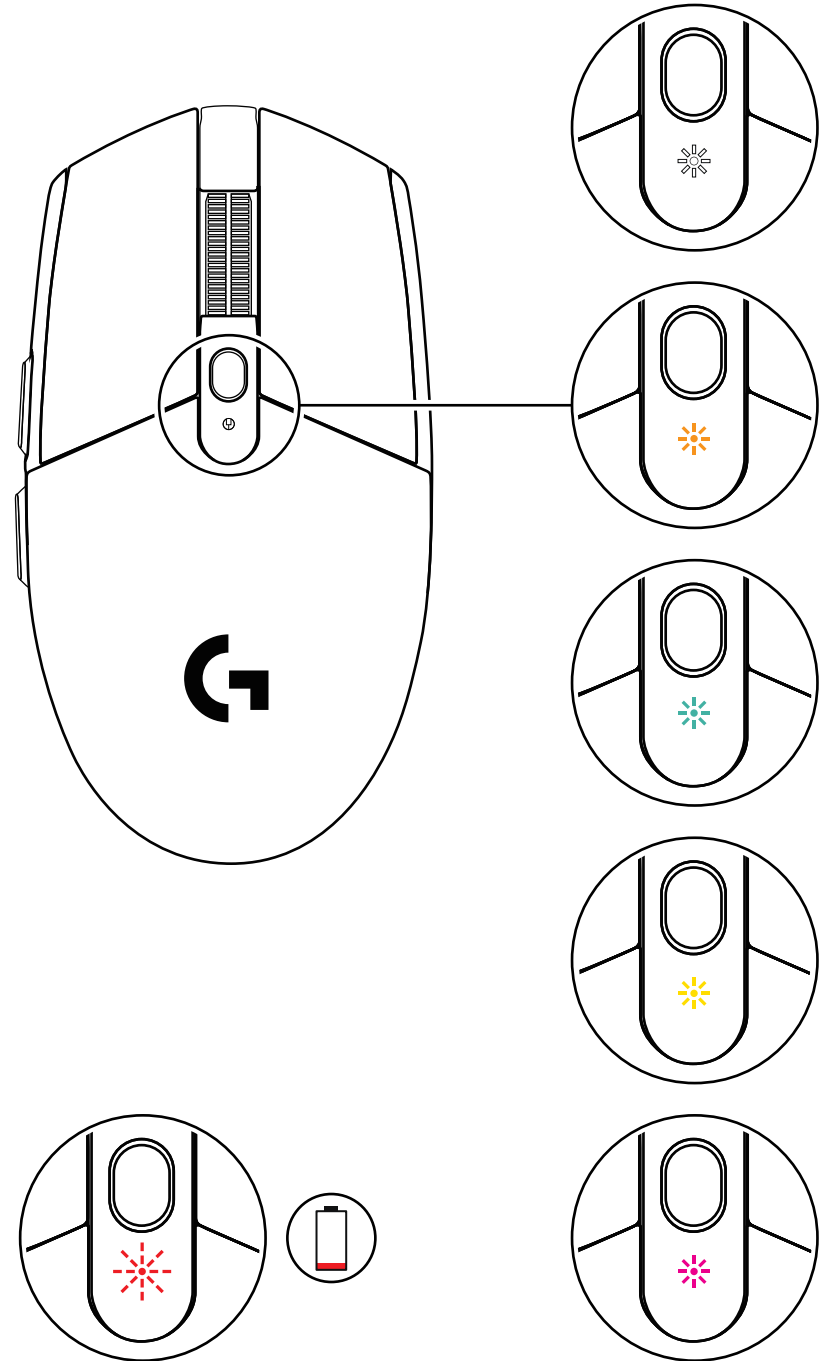
品红色: 3200 DPI

## G HUB 软件 (可选)

可以使用 G HUB 自定义板载配置文件。设置包括按钮编程、报告速率、性能和跟踪表现。G304 X 可以设置多达 5 个 DPI 设置。默认情况下的设置为:

— DPI: 800/1200/1600/2400/3200

— 报告速率: 1 毫秒





2-year limited hardware warranty.

©2025 Logitech. Logitech, Logitech G, Recycled Plastic logo and all other Logitech trademarks and logos are trademarks or registered trademarks of Logitech Europe S.A. and/or its affiliates in the U.S. and other countries. USB-A is the trademark of USB Implementers Forum. All other third party trademarks are the property of their respective owners. Images are illustrative and may vary from actual product.

2 年有限硬件质保。

版权所有©2025 年罗技。罗技、Logitech、罗技 G、Logitech G、回收塑料标志以及所有其他罗技商标和标志均为罗技欧洲公司和/或其在美国及其他国家/地区附属公司的商标或注册商标。所有其他商标均为其各自所有者的财产。USB-A 是 USB Implementers Forum 的商标。本说明书内所使用的数据如无特别说明均来自罗技有限公司和/或其关联公司和/或其指定的供应商。图片仅作参考之用,可能跟实物有所差别。

WEB-621-002804 002